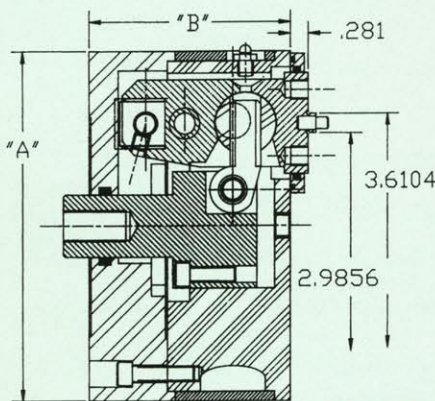


Models:

R4400
3-Jaw
5.625", 6.50", 8.50"
Internal and External

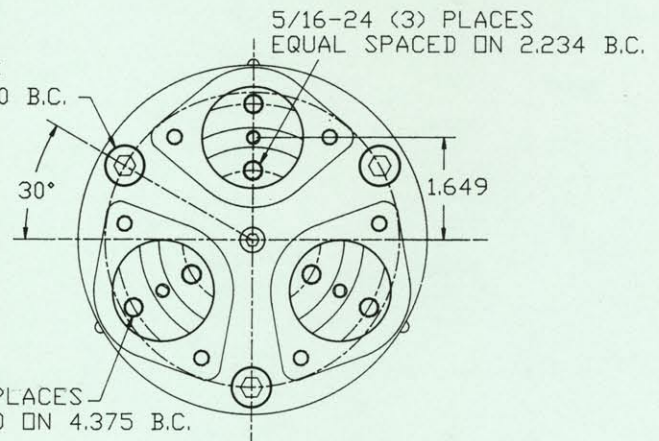
R4400
2-Jaw
5.625", 6.50", 8.50"
Internal and External

**HIGH QUALITY
DRAW BAR
OPERATED
POWER CHUCKS**



**R4400 3-Jaw
5.625"
Internal and External**

3/8 S.H.C.S. (3) PLACES
EQUAL SPACED ON 4.750 B.C.

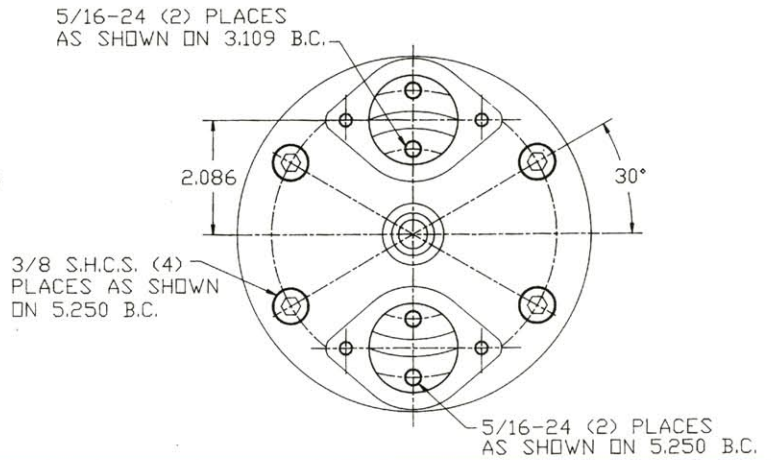
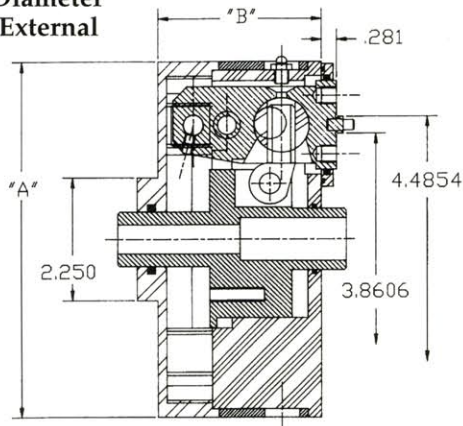


*Specializing in
Workholding Since 1946*

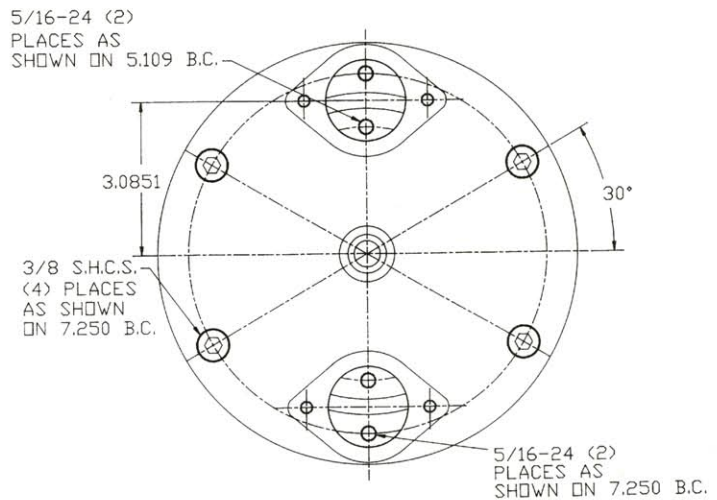
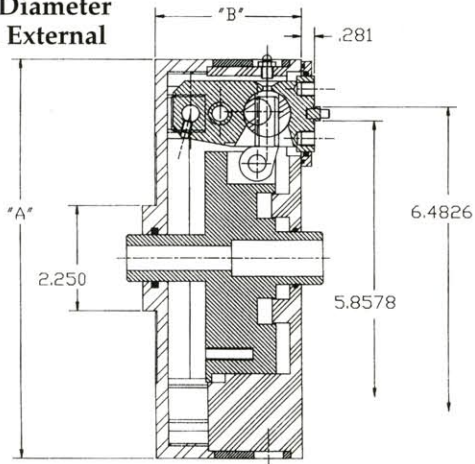
R4400 SERIES

Stace Allen
CHUCKS

Model R4400
2-Jaw, 6.50" Diameter
Internal and External



Model R4400
2-Jaw, 8.50" Diameter
Internal and External



Model	Type	Maximum Hole Through	Maximum Weight	Chuck Diameter		Jaw Travel Per Jaw	Maximum Draw Bar Force
				A	B		
R4400	3-Jaw		23 lbs.	5.625	3.250	.140 min. (depends on jaw length)	5000 lbs.
*	3-Jaw	.875	28 lbs.	6.500	3.000	.140 min. (depends on jaw length)	5000 lbs.
*	3-Jaw	2.875	48 lbs.	8.500	3.107	.140 min. (depends on jaw length)	5000 lbs.
*	2-Jaw		23 lbs.	5.625	3.250	.140 min. (depends on jaw length)	3000 lbs.
*	2-Jaw	.875	28 lbs.	6.500	3.000	.140 min. (depends on jaw length)	3000 lbs.
*	2-Jaw	2.875	48 lbs.	8.500	3.107	.140 min. (depends on jaw length)	3000 lbs.

*Special Designs Available with Hole Through

For Firm Proposal, Submit Part Prints, Tool Layout and Machine Mounting Information

**Let Us Solve
Your Chucking
Problems**

STACE-ALLEN CHUCKS, INC.
2246-50 West Minnesota Street
Indianapolis, Indiana 46221
(317) 632-2401
Fax: (317) 637-7563